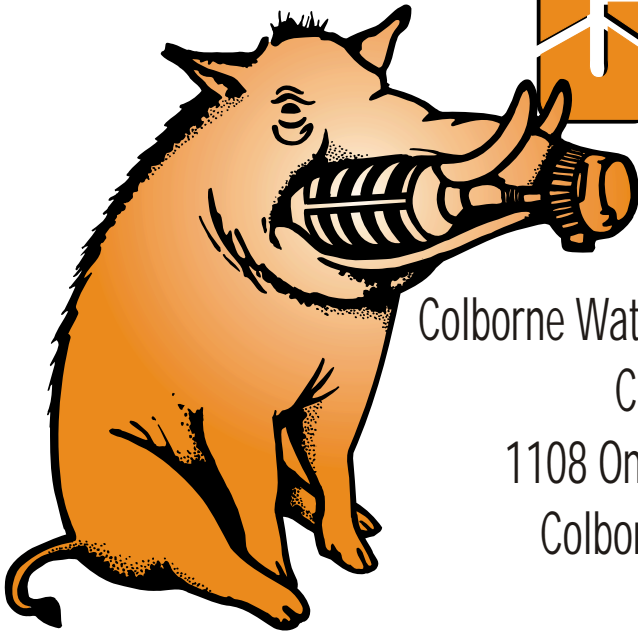
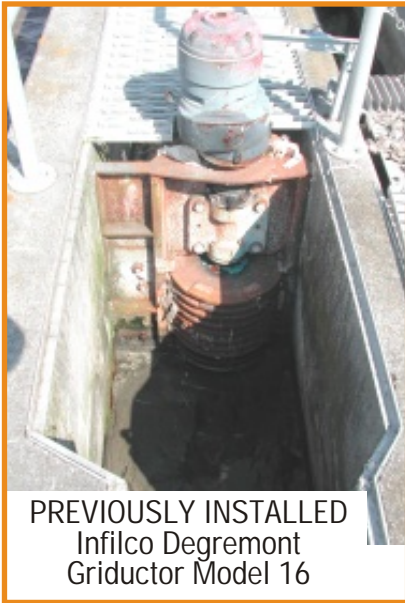


Grind Hog™



Colborne Water Pollution
Control Plant
1108 Ontario Street
Colborne, Ontario
2003



PREVIOUSLY INSTALLED
Infilco Degremont
Griductor Model 16

ENGINEER

The Greer Galloway Group, Inc.
86 River Road South, Corbyville, Ontario



GRIND HOG™ 10 T/S
Featuring
1) 18" Motor Column
2) Overflow Barscreen



G.E.T. INDUSTRIES INC.

Toll Free: (877) 213-7418
E-mail: get@grindhog.com ♦ Web: www.grindhog.com



**Grind
Hog**

HORIZONTAL FLOW

RETROFIT ALTERNATIVE

“TOILET SEAT BOX STYLE” DROP IN REPLACEMENT

PROJECT: _____

ANTICIPATED PEAK FLOW: _____

EXISTING CHANNEL:

Width (w): _____

Depth (d): _____

Underdrain Clearance (c): _____

MOTOR REQUIREMENTS:

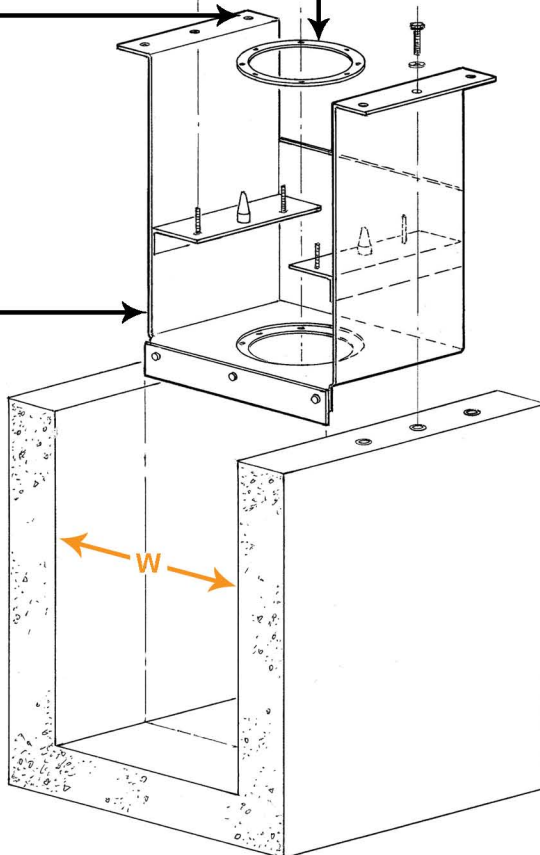
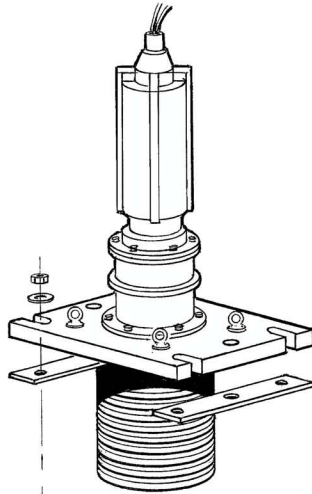
Power: _____ / _____ / _____

Enclosure: _____

Replaceable wear ring for extended life

Supported from above on the channel walls, eliminating the requirement for any submerged anchorage

Fabricated from 304 Stainless Steel to suit existing channel dimensions



REPLACING

Barminutor

Infilco Degremont

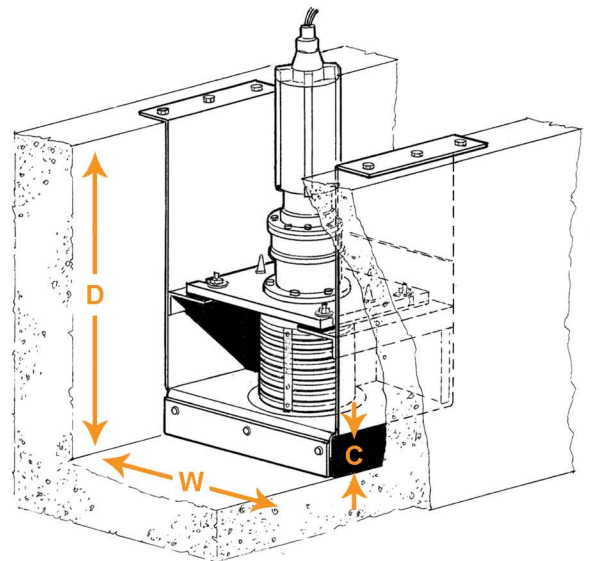
Clow Aer-O-Flo

Muffin Monster

Franklin Miller-Diminutor

Worthington

.....Among others



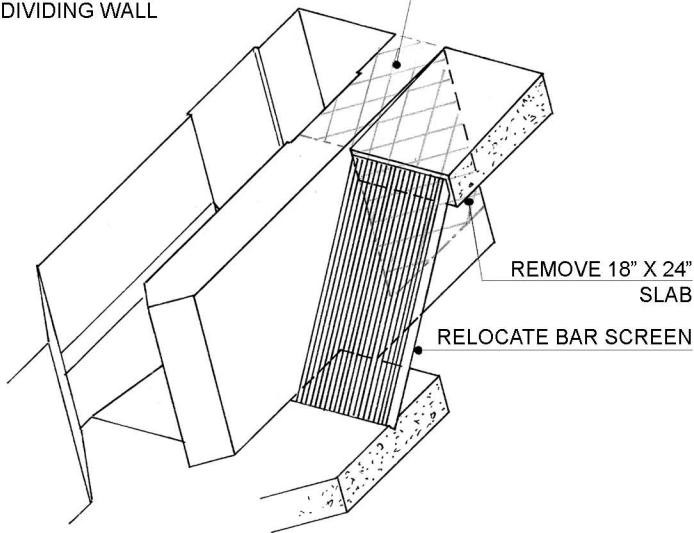
HORIZONTAL FLOW



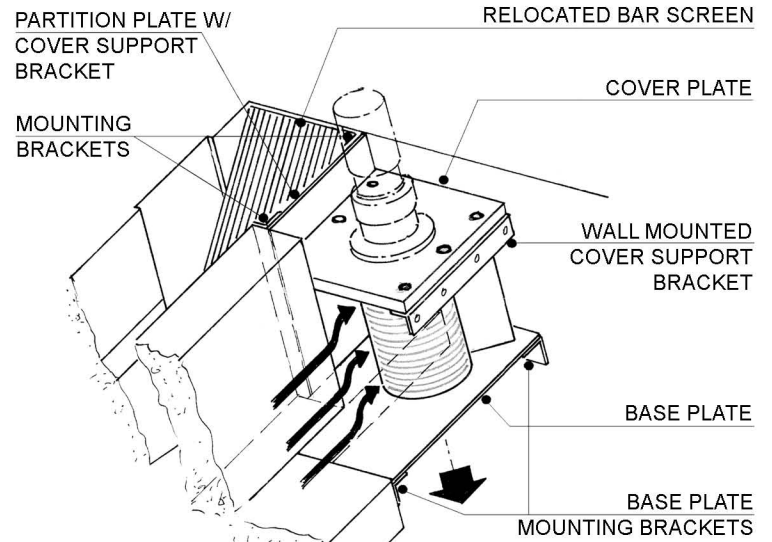
Customized to suit each application

ORIGINAL CHANNEL

REMOVE 24" SECTION OF DIVIDING WALL



PROPOSED CHANGES



Original
Worthington 15-5



Custom Fabricated
Basin



16 ASX T/S



Custom Fabricated Basin
& 16ASX T/S
Ready for Shipment

G.E.T. INDUSTRIES INC.

Toll free: (877) 213-7418

Email: get@grindhog.com

Web: www.grindhog.com